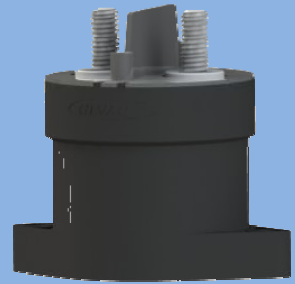


High Voltage DC Contactor

GL250



—	
—	
	IP67
RoHS	—
—	



		-
		12-800VDC
		750VDC
	250A	150mm ²
	320A	10min
	480A	1min
	1600A	1s
		1
	1A	12VDC
	1600A	320VDC 1
		0.4m
1	250A	450VDC 1000
	250A	750VDC 400
	300A	750VDC 50
	-250A	320VDC 12

300,000

-

2A 24VDC

0.1A 8VDC

1

0.6S:5.4S



2

1000M 1000VDC

2500VAC 1 1mA

2500VAC 1 1mA

23 25ms

23 10ms

- ON 11ms 20G
OFF 11ms 10G

- 6ms 50G

10-2000 Hz 4.5G

380g

2

50 MΩ



-40 +85

5% 95%RH



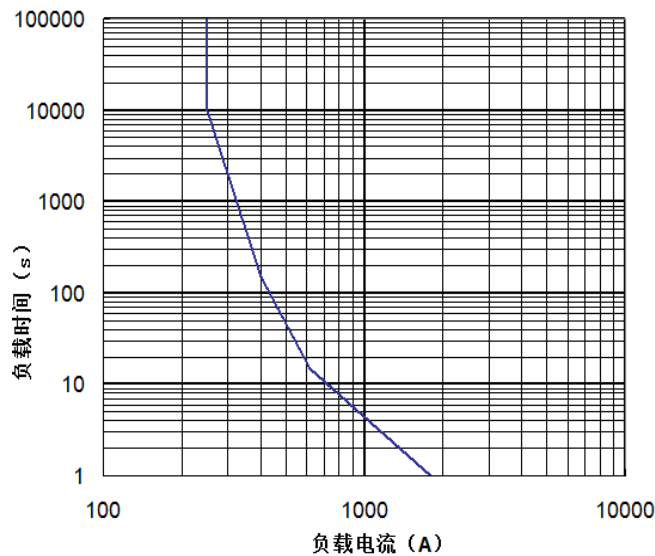
	A	S ³	T ³
	PWM		
	10-36VDC	12VDC	24VDC
	36VDC	16VDC	32VDC
23	8.5VDC	7.5VDC	15VDC
23	4.5VDC	0.6VDC	1.2VDC
4	3.6A	4.3A	1.6A
	0.13A 12VDC 0.07A 24VDC	0.24A	0.09A
4	27W	46W	37.6W
	2W	2.8W	2.2W

3

4

300ms

300ms

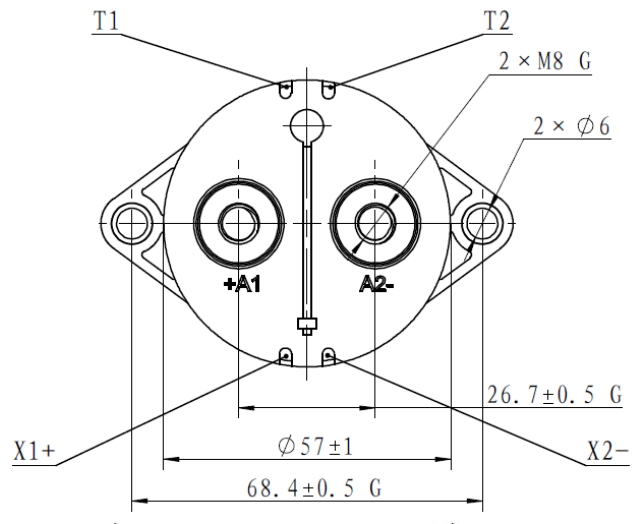
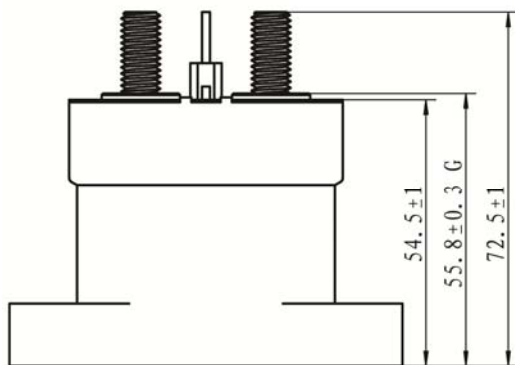




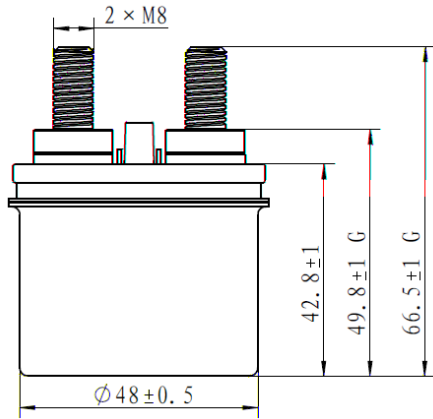
GL250	A	A	A	N	A	XXXXX
A: H:		A:12-36VDC S:12VDC T:24VDC		A:390mm B:150mm T: N:		
				K: N:		
					A: P: S: T: Q:	
						XXXXX



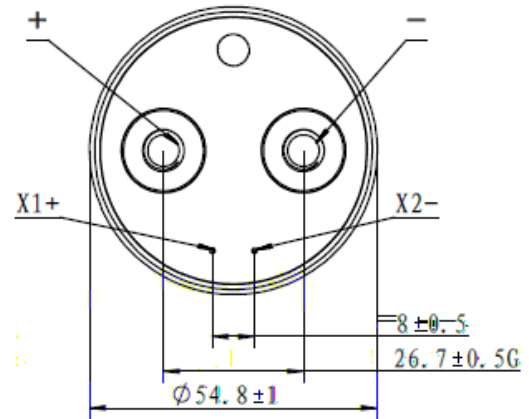
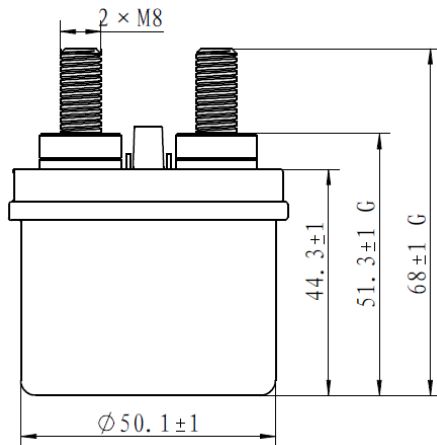
GL250XXXXA



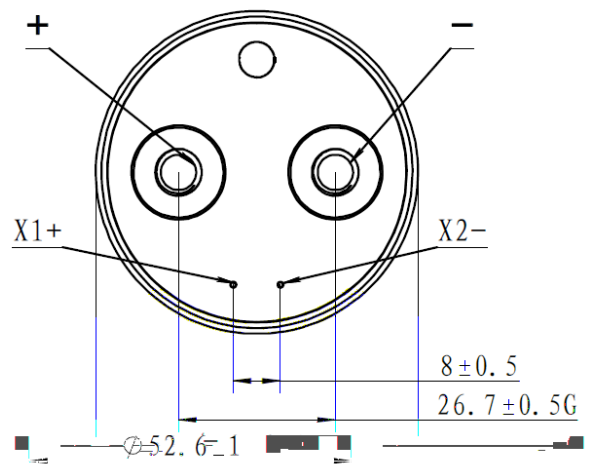
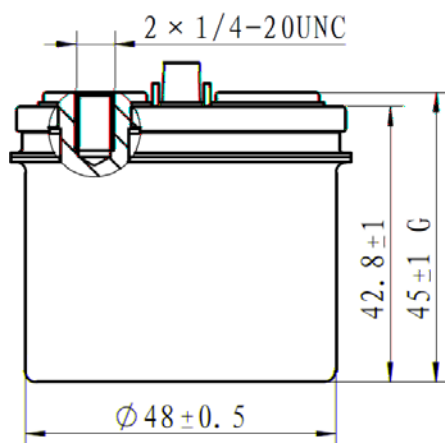
GL250XXXXP



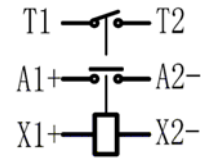
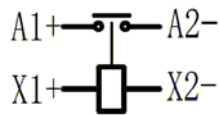
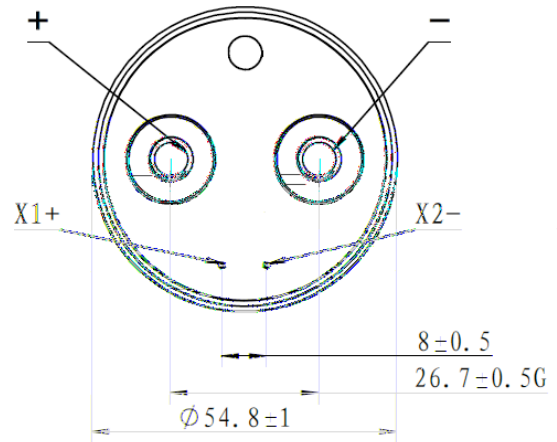
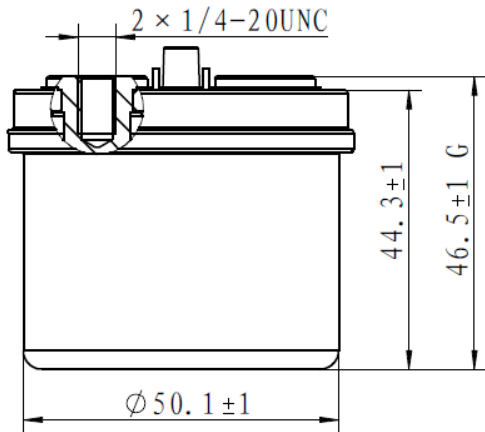
GL250XXXXS



GL250XXXXT



GL250XXXXQ



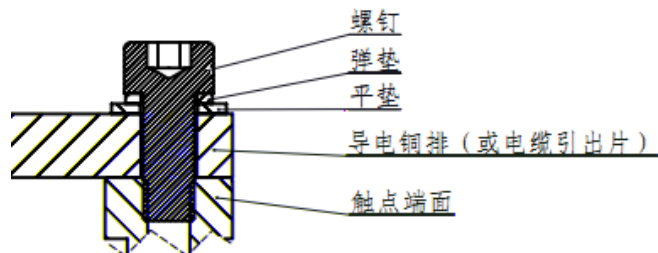
1 G

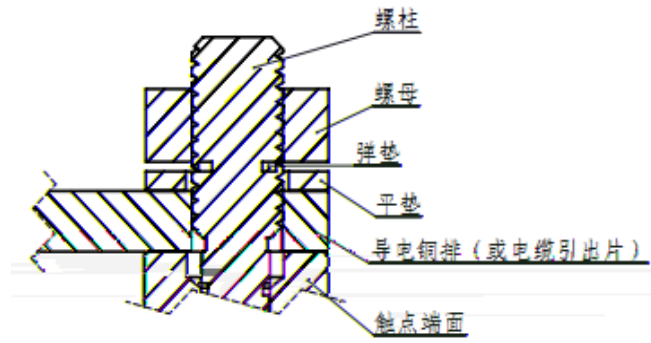
2 10 ±0.25 10 50 ±0.5 50 ±0.8

3 M8



1. 1





2.
3.

	M8	9-10Nm	4mm	M5	3-4Nm
	1/4	6-8Nm	7mm	/	/

4.

“+” “-”

5.

“+” “-”

6.

7.

20V

8.

9.

10.

GL250XXXXXA-V2.0

GL250XXXXXS-V2.0

GL250XXXXXP-V2.0

GL250XXXXXQ-V2.0

GL250XXXXXT-V2.0

11.