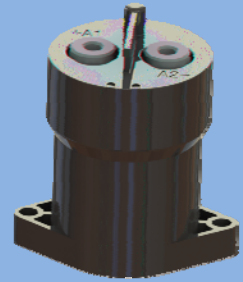


High Voltage DC Connector

GL50



—	
—	
	IP67
RoHS	—
—	



			12-1000VDC
			800VDC
		50A	16mm ²
		80A	10min
		120A	1min
		500A	1s
			2
		1A	12VDC
		600A	400VDC 1
			1.5m
1		1	
		-50A	400VDC 500
			300,000

1

0.6S:5.4S



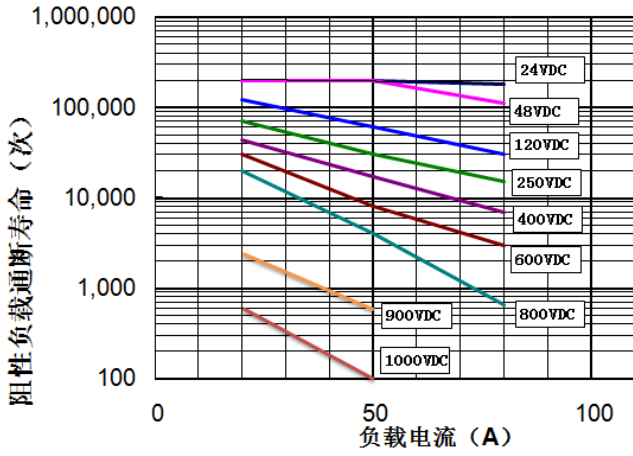
2	1000M	1000VDC	
	2500VAC	1	1mA
	2500VAC	1	1mA
23	25ms		
23	10ms		
-		11ms	196m/s ²
-		6ms	490m/s ²
	10-2000 Hz	57.9m/s ²	
	185g		
2	50 MΩ		



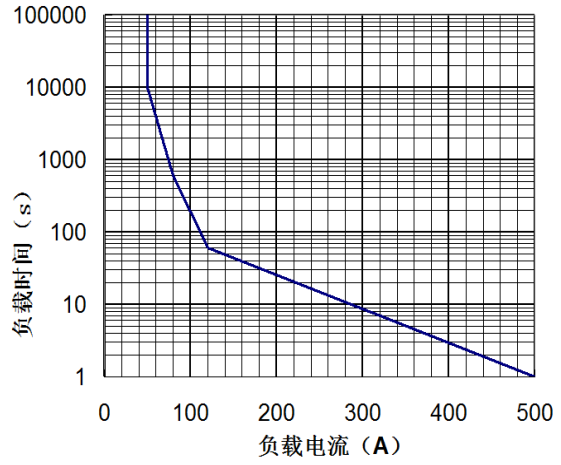
-40	+85
5%	95%RH



	B	C	F
	12VDC	24VDC	48VDC
	16VDC	28VDC	52VDC
23	8.5VDC	17VDC	34VDC
23	0.6VDC	0.9VDC	1.8VDC
23	0.46A	0.24A	0.12A
	5.5W	5.8W	6.0W



1



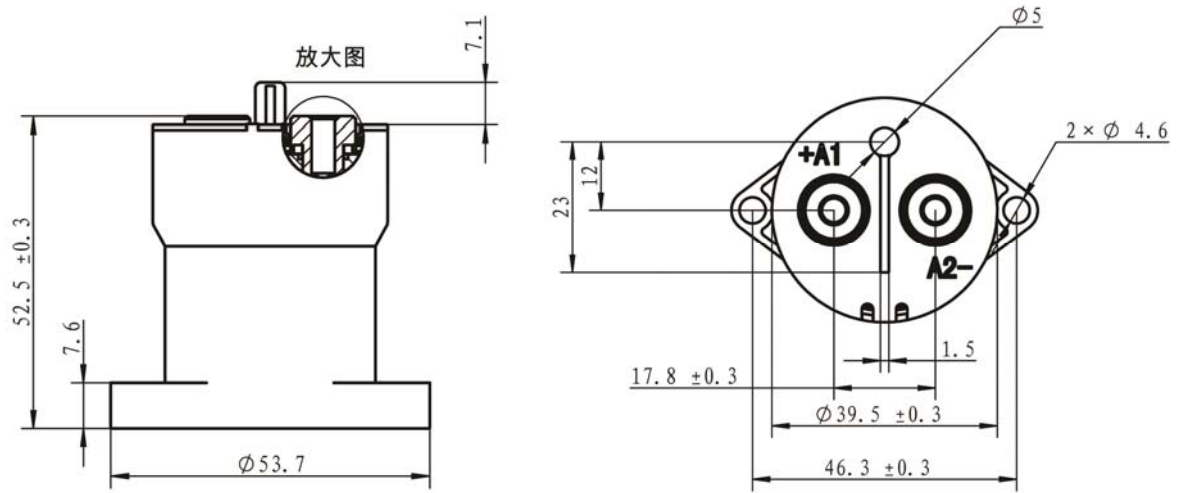
2



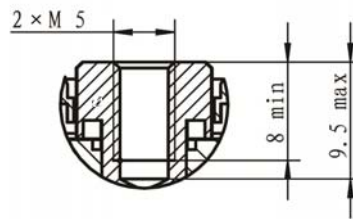
GL 50	A	C	A	N	B	XXXXX
	A:					
		B:12 VDC C:24 VDC F:48 VDC				
			A:390mm T: N:			
				K: N:		
					A: B:	
						XXXXX



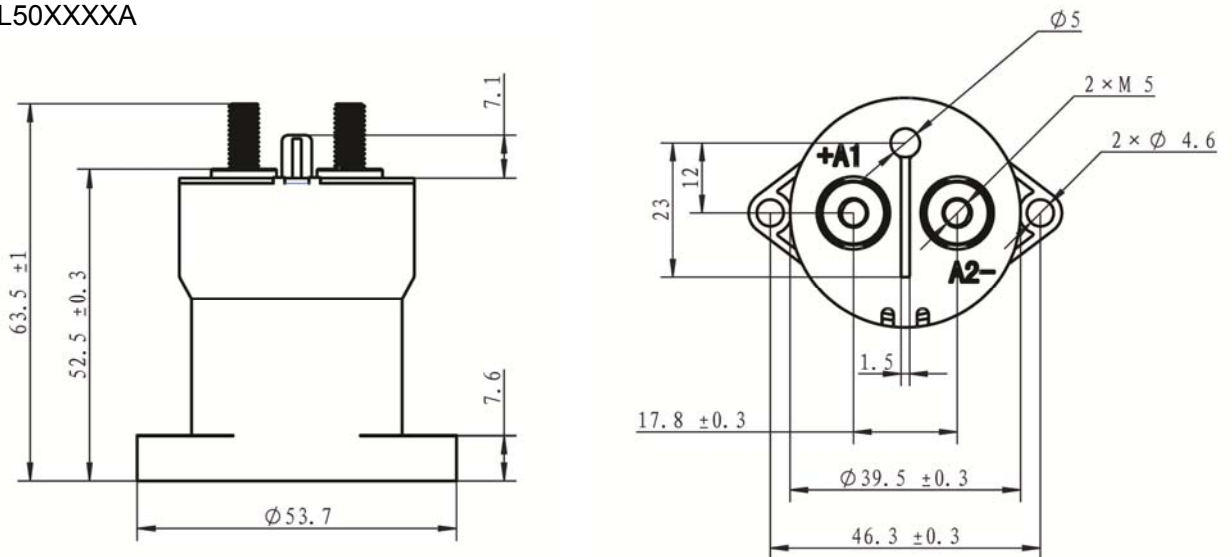
GL50XXXXB

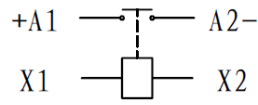


放大图
2:1



GL50XXXXA



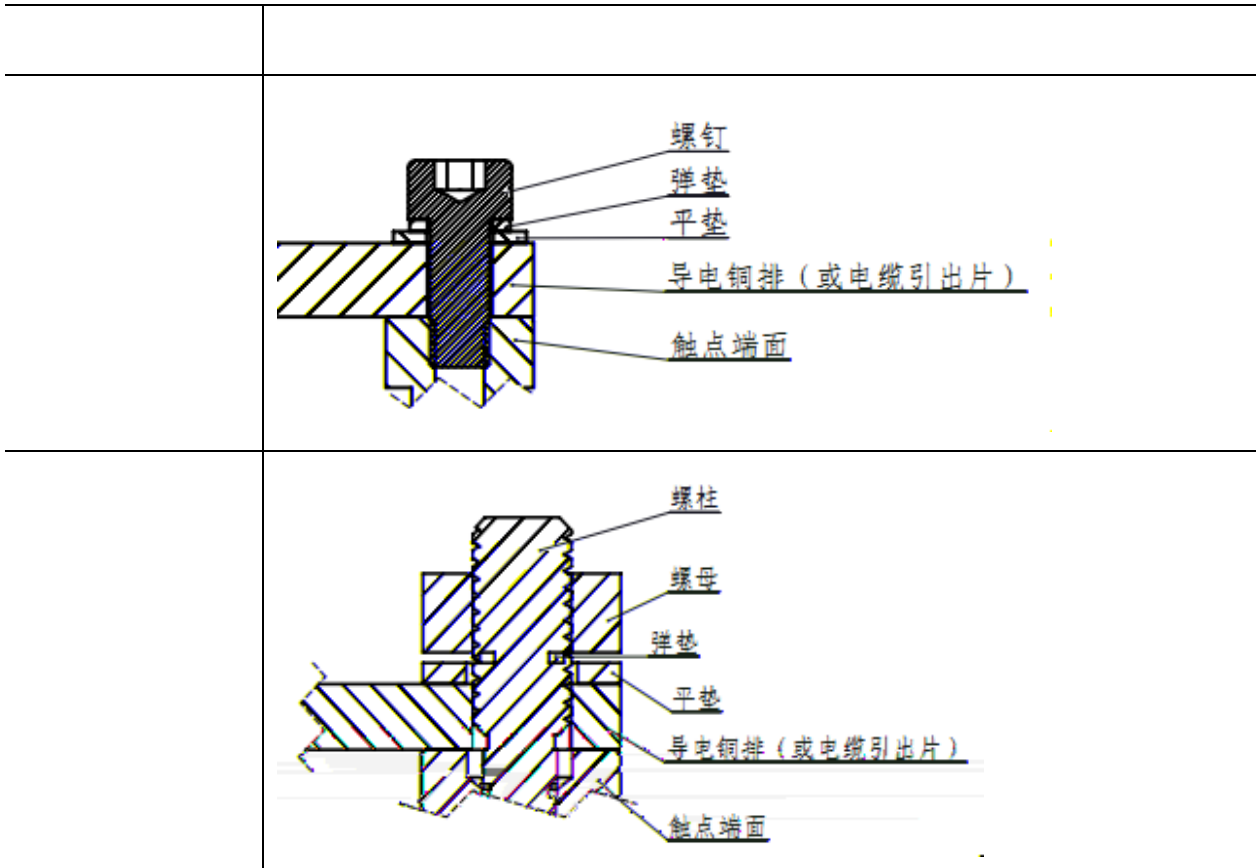


1 10 ±0.25 10 50 ±0.5 50 ±0.8

2 AWM3266 22AWG

◇

1. 1



2.

3.



	M5-0.8K	3-4Nm	3mm	M4	1.5-1.7Nm
	M5		7mm		

4. “+” “-”

5.

6.

1.5

TVS

7.

20V

8.

9.

10.

GL50XXXXA 3D-V2.0

GL50XXXXB 3D-V2.0

11.